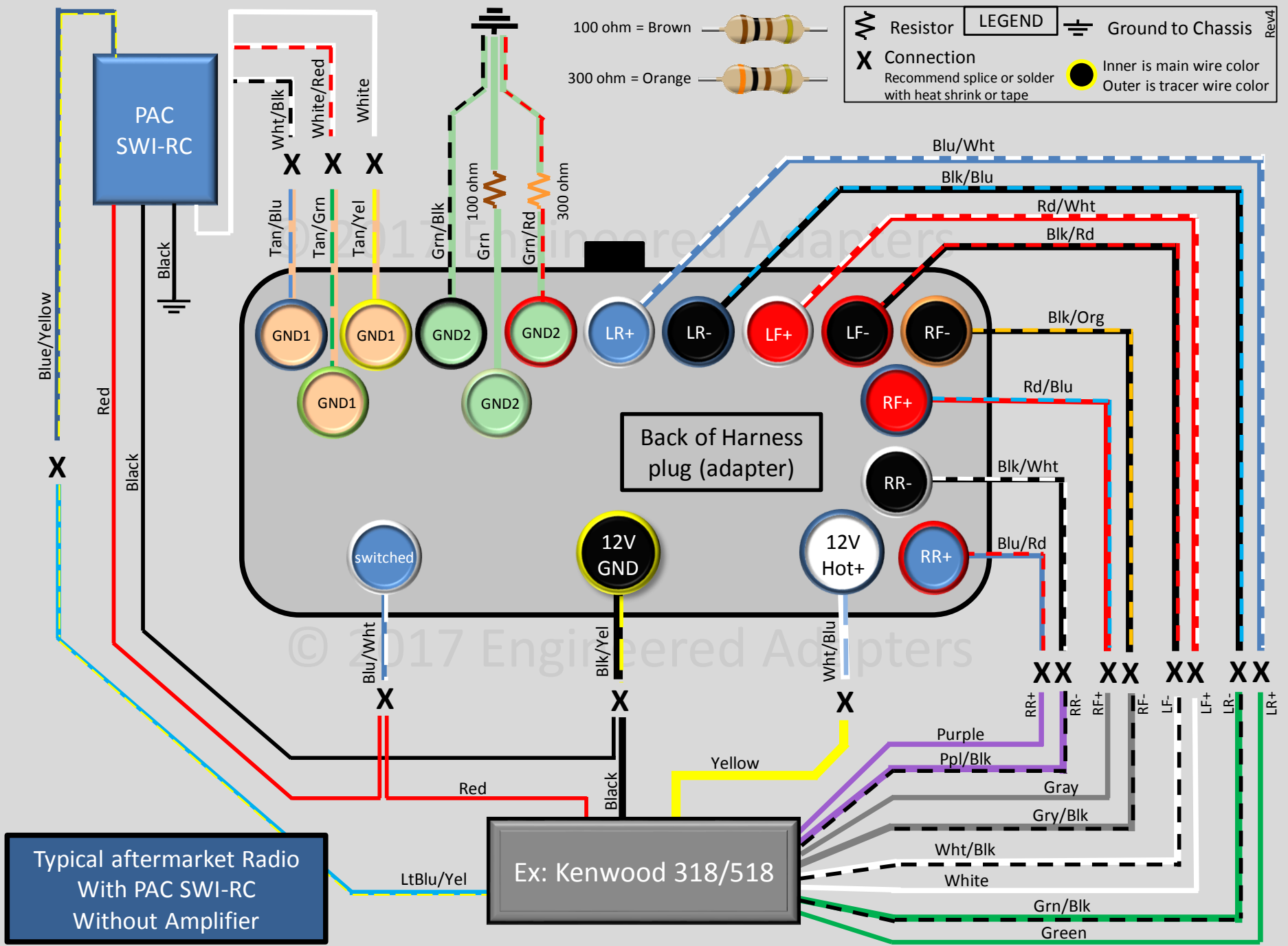


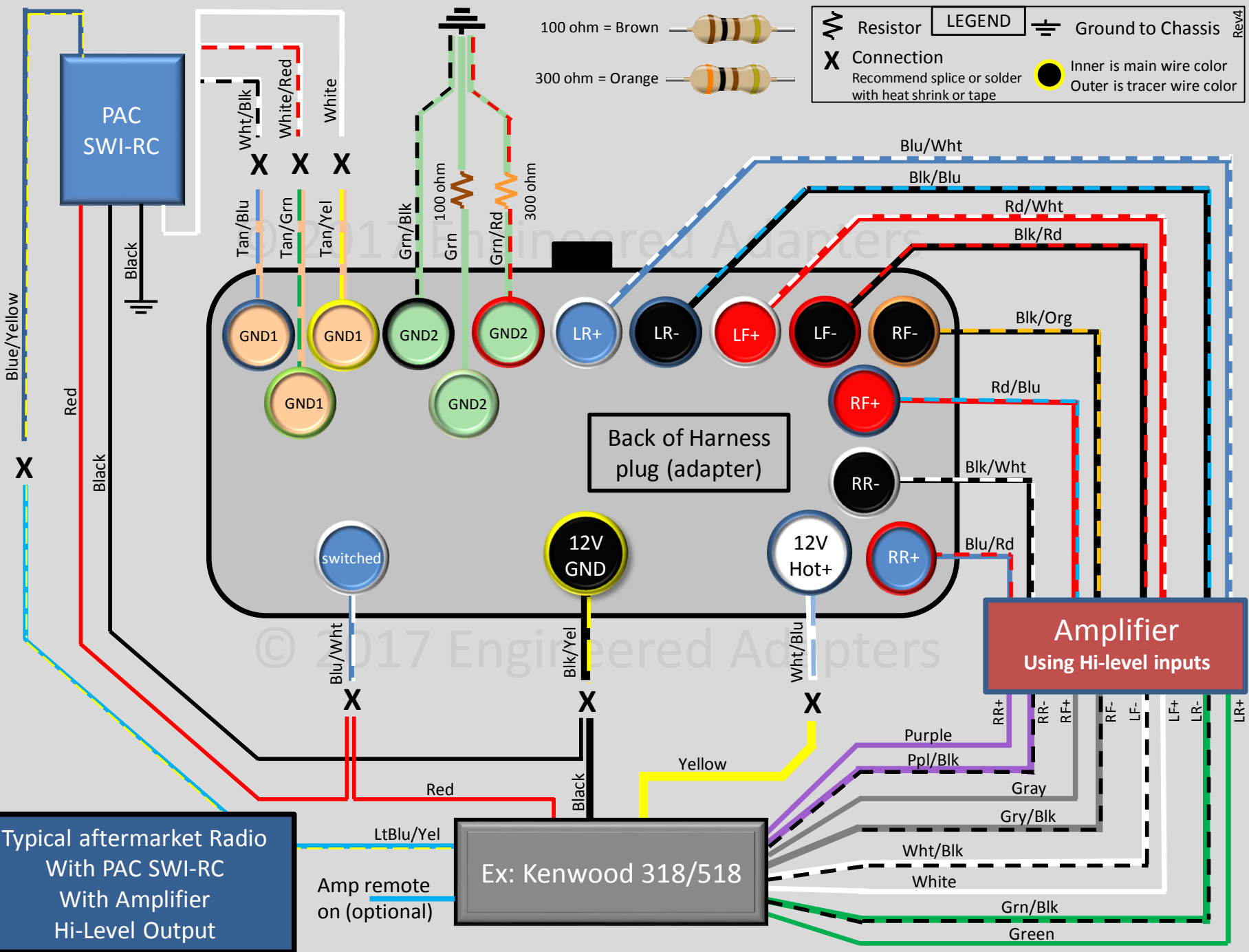
LEGEND

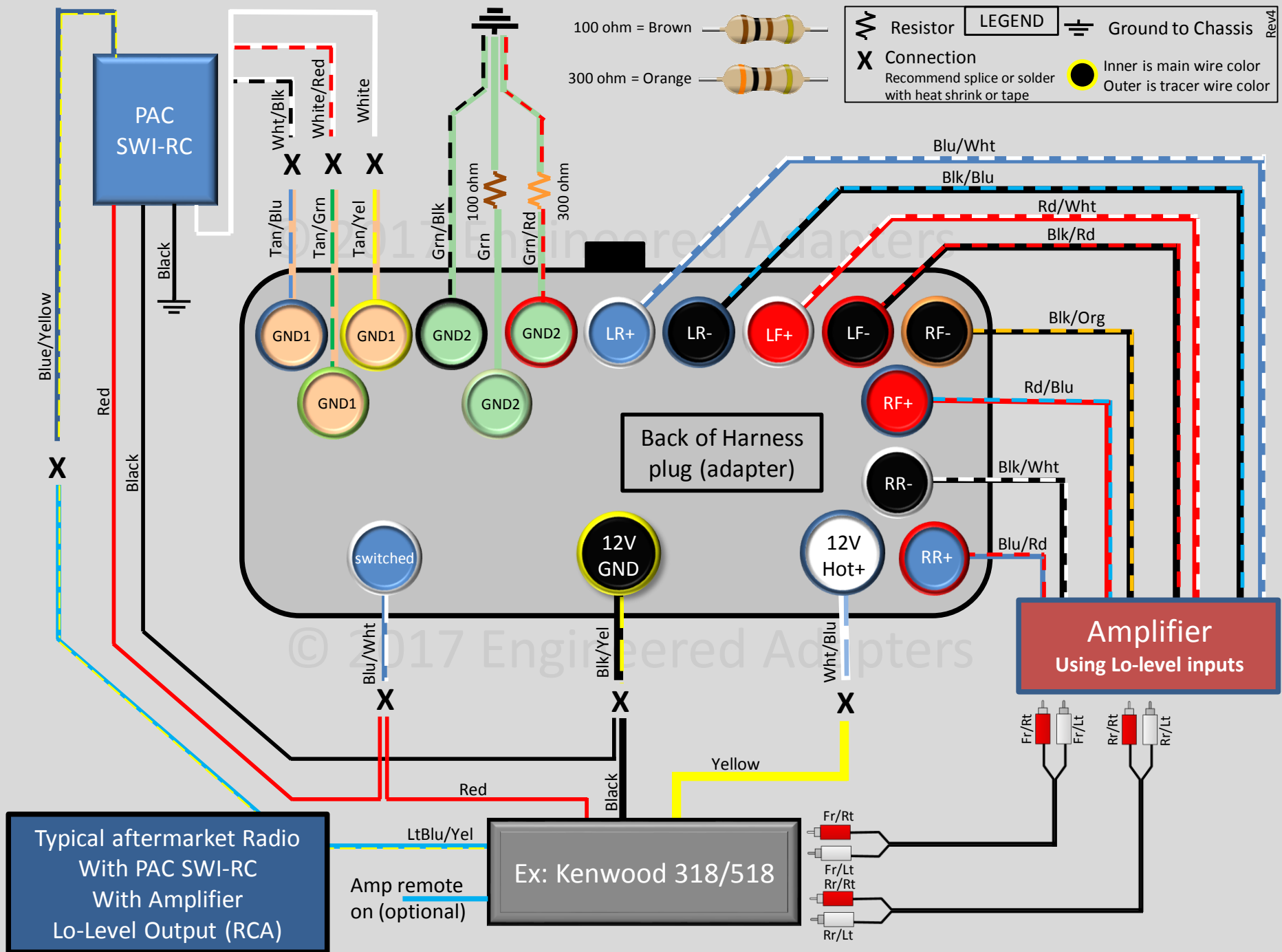
- Resistor
- Ground to Chassis
- Connection
Recommend splice or solder with heat shrink or tape
- Inner is main wire color
Outer is tracer wire color

100 ohm = Brown

300 ohm = Orange







Typical aftermarket Radio
 With PAC SWI-RC
 With Amplifier
 Lo-Level Output (RCA)

Ex: Kenwood 318/518

Amplifier
 Using Lo-level inputs